

Published on *Marketplace* (<https://wie.dev.52north.org>)

ADESBA - Real Time Control

Product Owner : SEGNO Industrie Automation GmbH

Category : Software Products

Stage of Commercial Development: commercially available



The ADESBA RTC system is an innovative fully-automated system to minimize combined sewer overflow (CSO) and enables communication between single CSO facilities with the aim to utilize the total storage capacity. Thus, the RTC can facilitate a reduction in water pollution by decreasing the volume of overflow. The water levels are measured at all CSO storage facilities and a request from a higher to lower sewer storage would be sent if the water level is rising and the higher storage facility wants to drain the water to the lower one. The lower one analyses the request and sends back a signal of approval or denial.

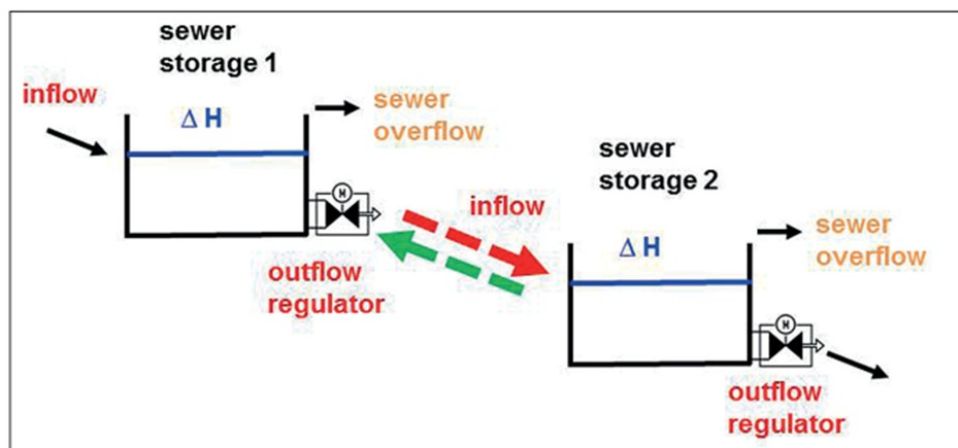


Figure 4: ADESBA RTC concept © SEGNO, Christian Niclas

Application & Target Markets :

The technology is a commercial product, targeted at water user representatives, research organisations, industry consultants, government, and training providers.

Competitive Advantages :

This is an innovative technology solution that represents great value for the optimization of volume utilization. The pre-configured control system represents a step forward in terms of practical and rapid implementation of sewer network control.

Details :

<https://wie.dev.52north.org/en/product/adesba-real-time-control>

License / Copyright:	Proprietary
Costs :	On request
Costinfo :	Cost varies between EUR 10,000-50,000. The license model is dependent on the connected sewer buildings. The license extension can be done by individual building licenses or package licenses.
Type of Software:	Data processing
Type of Hardware:	Instrumentation & control
Case Studies :	Demo site activity in the Emscher region (Germany) within the DESSIN project Demo site Website of Emscher (Germany) Case study (September 2015)
E-learning, Tutorials and Supporting Material :	ADESBA-Planer is available free of cost upon request from Segno. More information
WFD Objectives :	Setting objectives, Selecting measures, Data processing (spatial or geographical), Planning process, Intercalibration, Monitoring and reporting, Modelling and prediction, Infrastructure planning
Issue :	Floods and droughts, Ecosystem services, Urban areas and Water conservation and recycling.
Relevant Water Bodies:	Rivers, Lakes, Artificial and heavily modified waterbodies and Rain and precipitation.
Target User Group:	Research organisation, Supplier, Industry consultants, Trade associations, Government (and associated bodies) - policy, Government (and associated bodies) - practitioners, Funding and investment, Training provider, Water user representative and Networking organisation.

Type of Input requirements : It requires of basic technical knowledge of hydraulics, data management, operation of controls.

Type of Output :

- ADESBA_Planer presents data in the form of a readable XML file available to all modern systems, this way planners and operators can exchange their data base easily;
- Measurements and control of water discharges and volumes with the aim to reduce water discharges

Potential to combine this product with other products : Product is compatible with: - Special purpose SIMBA block to enable the algorithm to be tested on a simulation basis and in the SIMBA model and to be implemented in rapidly programmable controllers - Technologies related to the minimization of the combined sewers overflow.

Supported Legacy Systems : It can be used in calculation or simulation systems or in its own computing environment, Windows PC.

Supported Standards

Standard Category :

- Data Downloading
- Data Encoding
- Data Visualization
- Sensor Data

Version : 2012

Project : Dessin

Project & Promotional Material About the Product :

- DESSIN poster on the Emscher demo site
- ADESBA product website

Contact Details : Christian Niclas
Managing Director
E-mail: christian.niclas@segno.de
Tel.: +49 (0) 421 79288 37

Vasco de Freitas
Sales Manager
E-mail: vasco.defreitas@segno.de
Tel.: +49 (0) 421 79288 39

Partners



This project has received funding from the European Union's Horizon 2020 research and innovation programme under grant agreement No G41821.

www.waterinneu.org

Source URL (modified on 29.08.2016 - 14:37 UTC): <https://wie.dev.52north.org/en/product/adesba-real-time-control>